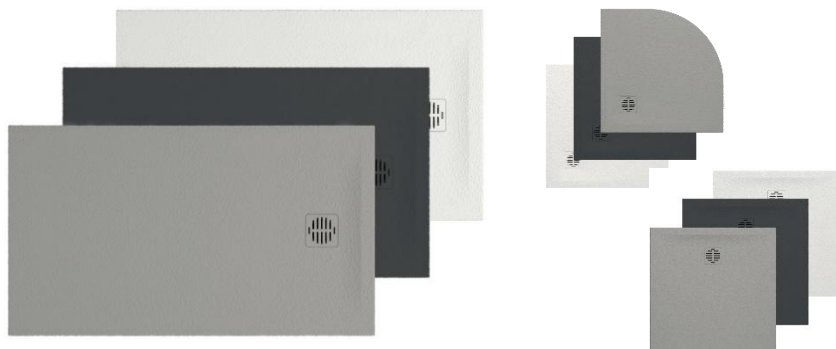


Shower trays STONE

Mineral marble shower tray with anti-slip surface



UV Resistant



Slip Resistant



Stain Resistant



Easy to Clean and Maintain



International Fire-spread Compliant

Models:

Shower tray STONE square

Shower tray STONE rectangular

Shower tray STONE semi-circular

Technical information

Material	Model	Dimension [cm]	Weight [kg]	Dimension [cm]	Weight [kg]
mineral marble	square	80x80	23,5 kg	100x100	35,5 kg
		90x90	29,0 kg		
	rectangular	100x80	29,0 kg	160x90	51,0 kg
		120x80	34,5 kg	170x90	54,5 kg
		140x80	40,5 kg	180x90	57,5 kg
		160x80	45,5 kg	120x100	42,5 kg
		170x80	49,0 kg	140x100	50,0 kg
		180x80	51,5 kg	160x100	56,5 kg
		100x90	32,0 kg	170x100	60,5 kg
		120x90	36,5 kg	180x100	63,5 kg
140x90	45,0 kg	200x100	70,5 kg		
semi-circular	80x80	24,0 kg	100x100	36,3 kg	
	90x90	29,9 kg			
Remark:	<ul style="list-style-type: none"> - drainage hole Ø90 - depth 1,5 cm 				

Declared properties

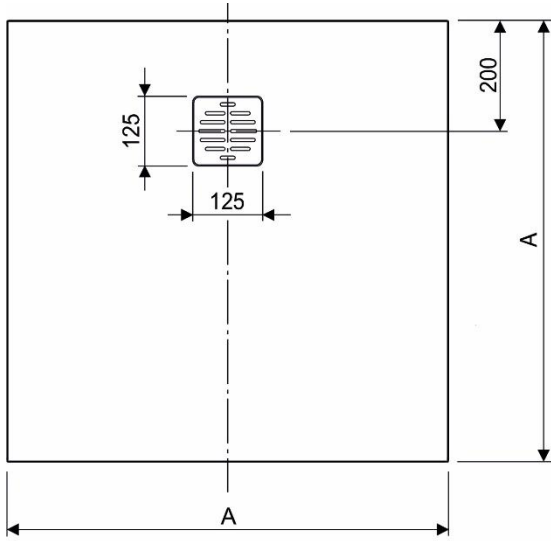
Tested properties	Requirement according to the European Standard	Confirmed level
- cleanability	EN 14527:2016 +A1:2018 – 6.2.1	Pass Class 2
- drainage of water	EN 14527:2016 +A1:2018 – 6.2.2	
- durability	EN 14527:2016 +A1:2018 – 6.3	

Analysis of possible risks according to EU Regulation 2023/988

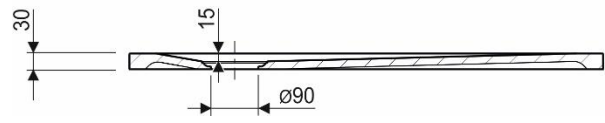
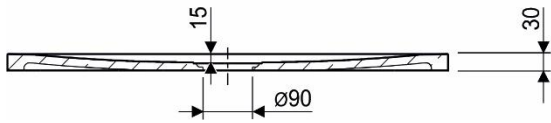
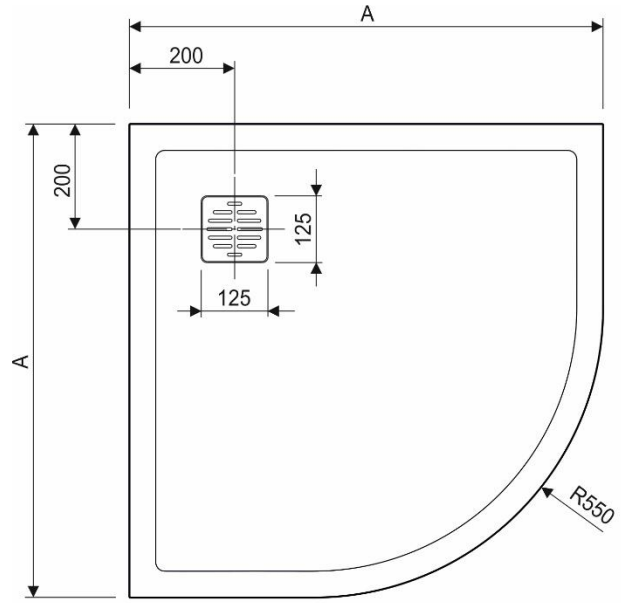
Material	Recognized risk	Risk elimination or reducing process	Tests conducted	Relevant EU norm
Mineral marble	Fulfilling the requirements of the Norm	Testing the product according to the requirements of the relevant standards.	Aquaestil Plus Laboratory test report No. TTK-240523-1 from 23.05.2024.	HRN EN 14527:2016 +A1:2018
	Hygiene and health risk	According to its composition, the product is intended for household use, but not for water consumption. Potential Health Effects Additives in this product do not present a respiration hazard unless the product is ground to a powder of respirable size and the dust is inhaled.	TDS from material supplier Moist-heat resistance – no faults at 100°C	EN 12721:1997
	Slipperiness of the surface	When getting in and out of the bathtub, hold on to a solid object or a handrail near the bathtub. Finishing the roughness of the surface by grinding or anti-slip coating.	TDS from material supplier	Method B.C.R.A.
	Flammability	Do not leave smoldering or hot objects on the products as they may damage the surface. The surface material can be combusted only with difficulty.	TDS from material supplier Dry-heat resistance - no faults at 160°C	EN 12722:1997

Technical drawing according to the model:

STONE SQUARE



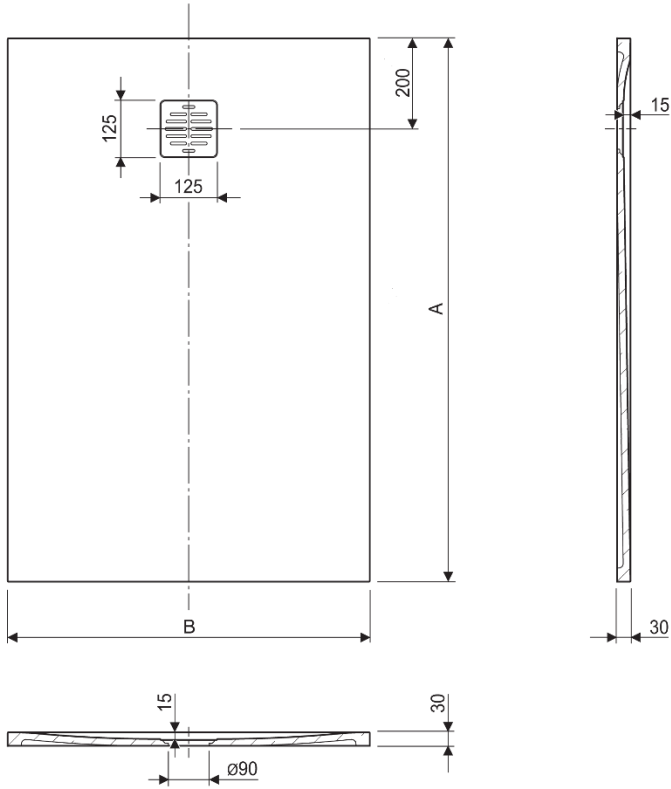
STONE SEMI-CIRCULAR



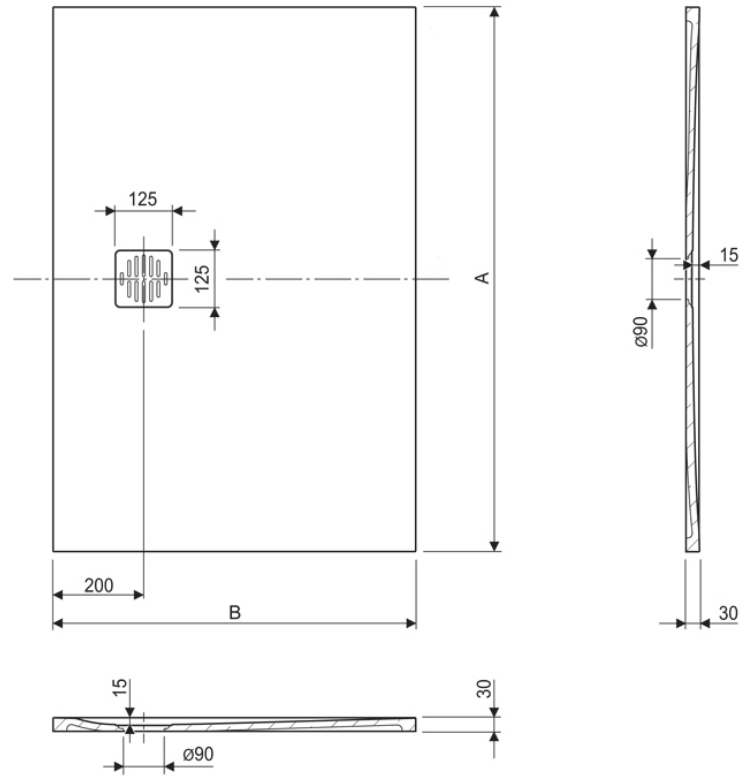
MODEL	A (mm)
80x80	800
90x90	900
100x100	1000

STONE RECTANGULAR

STONE – lateral outflow



STONE – central outflow



MODEL	A [mm]	B [mm]
100 x 80	1000	800
100 x 90	1000	900
120 x 80	1200	800
120 x 90	1200	900
140 x 80	1400	800
140 x 90	1400	900
160 x 80	1600	800
160 x 90	1600	900
120 x 100	1200	1000
140 x 100	1400	1000
160 x 100	1600	1000

MODEL	A [mm]	B [mm]
170 x 80	1700	800
170 x 90	1700	900
170 x 100	1700	1000
180 x 80	1800	800
180 x 90	1800	900
180 x 100	1800	1000
200 x 100	2000	1000