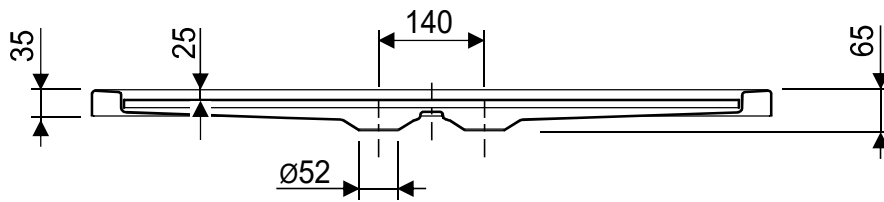
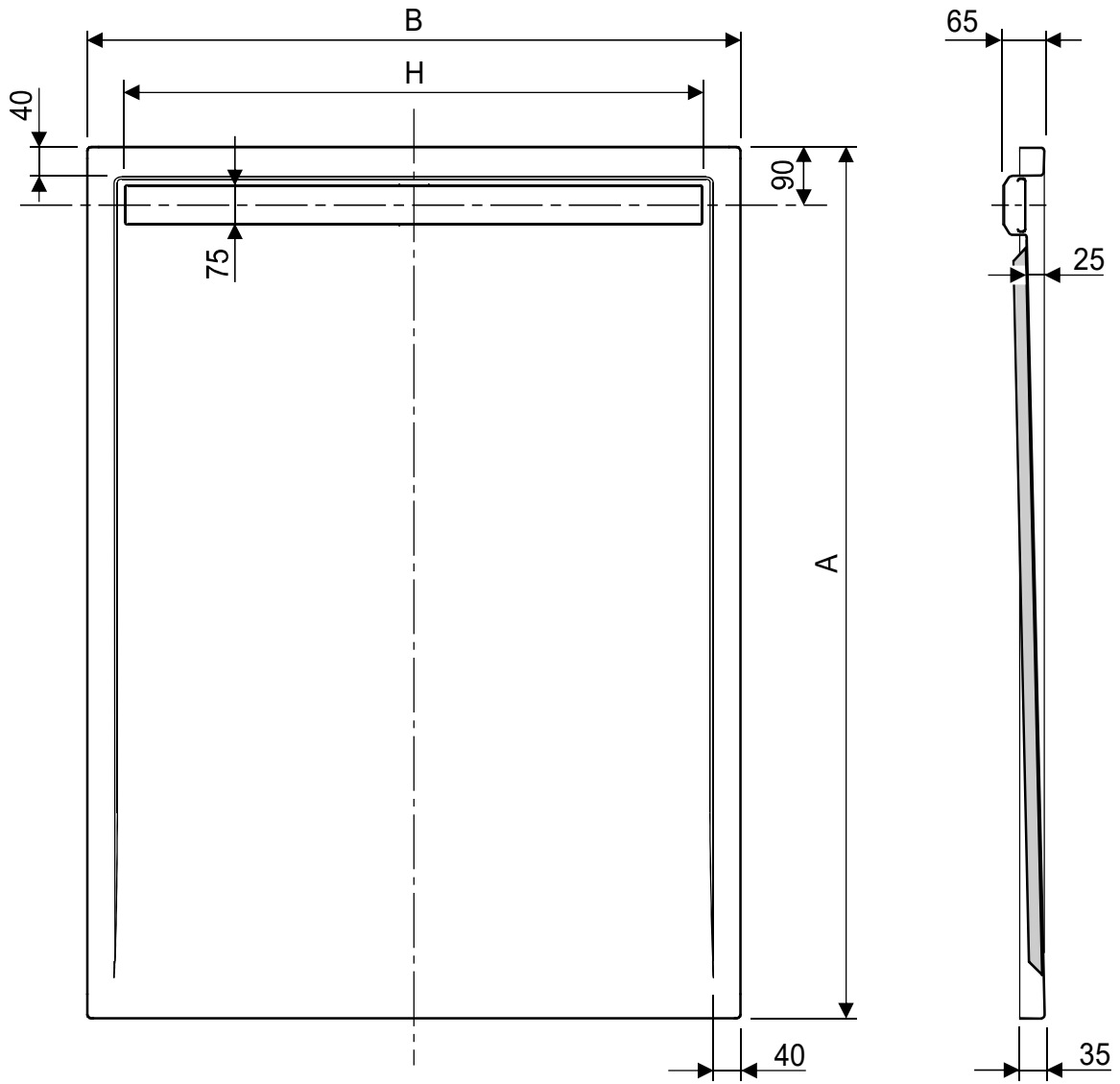


SLOPE



MODEL	A [mm]	B [mm]	H [mm]
120 x 80	1200	800	700
120 x 90	1200	900	800
140 x 90	1400	900	800