

Shower trays MIMA

Mineral marble shower tray with anti-slip surface



UV Resistant



Slip Resistant



Stain Resistant



Easy to Clean and Maintain



International Fire-spread Compliant

Models:

Shower tray MIMA square

Shower tray MIMA rectangular

Shower tray MIMA semi-circular

Technical information

Material	Model	Dimension [cm]	Weight [kg]	Dimension [cm]	Weight [kg]
mineral marble	square	80x80	51 kg	100x100	51 kg
		90x90	77 kg	120x120	77 kg
	rectangular	100x80	45 kg	80x90	38 kg
		120x80	53 kg	100x90	47 kg
		140x80	58 kg	110x90	51 kg
		160x80	66 kg	120x90	58 kg
		180x80	74 kg	140x90	70 kg
		120x100	64 kg	150x90	72 kg
		140x100	77 kg	160x90	74 kg
	160x100	87 kg	180x90	83 kg	
180x100	98 kg				
	semi-circular	90x90	40 kg		
Remark:	<ul style="list-style-type: none"> - drainage hole \varnothing90 - depth 2,1 cm 				

Declared properties

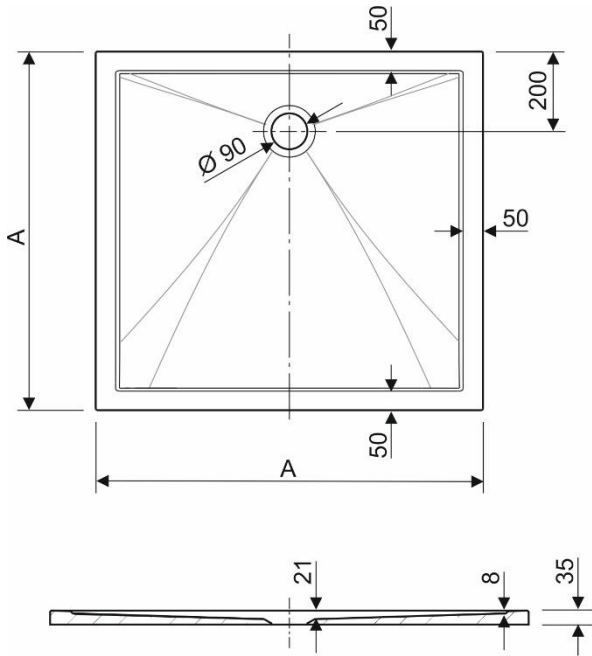
Tested properties	Requirement according to the European Standard	Confirmed level
- cleanability	EN 14527:2016 +A1:2018 – 6.2.1	Pass Class 2
- drainage of water	EN 14527:2016 +A1:2018 – 6.2.2	
- durability	EN 14527:2016 +A1:2018 – 6.3	

Analysis of possible risks according to EU Regulation 2023/988

Material	Recognized risk	Risk elimination or reducing process	Tests conducted	Relevant EU norm
Mineral marble	Fulfilling the requirements of the Norm	Testing the product according to the requirements of the relevant standards.	Aquaestil Plus Laboratory test report No. TTK-240521 from 21.05.2024.	HRN EN 14527:2016 +A1:2018
	Hygiene and health risk	According to its composition, the product is intended for household use, but not for water consumption. Potential Health Effects Additives in this product do not present a respiration hazard unless the product is ground to a powder of respirable size and the dust is inhaled.	Aquaestil Plus – Material Data Sheet – Mineral Marble	-
	Slipperiness of the surface	When getting in and out of the bathtub, hold on to a solid object or a handrail near the bathtub. Finishing the roughness of the surface by grinding or anti-slip coating.	Institute IGH d.o.o. 72530-OI-617-619-24 from 15.07.2023. Slip resistance of the floor covering	HRN EN 16165:2021, addition C (DIN 51097:1992)
	Flammability	Do not leave smoldering or hot objects on the products as they may damage the surface. The surface material can be combusted only with difficulty.	Aquaestil Plus – Material Data Sheet – Mineral Marble	-

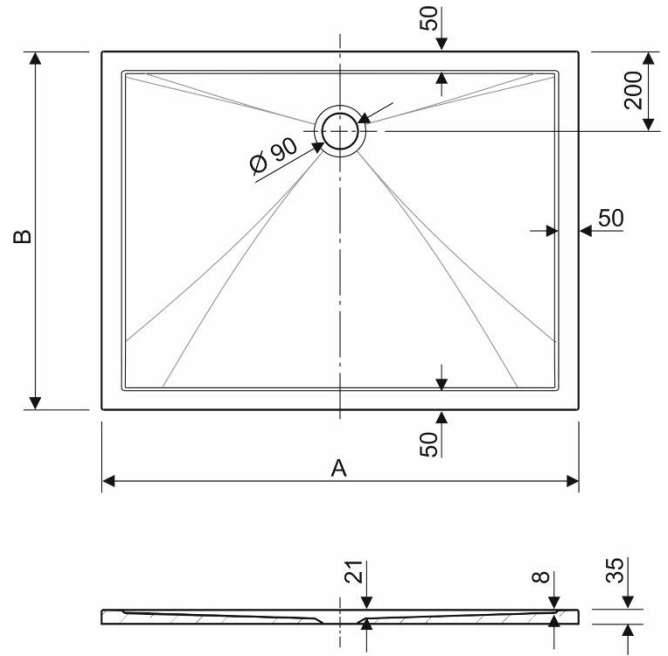
Technical drawing according to the model:

MIMA SQUARE



	A (mm)
MIMA 80x80	800
MIMA 90x90	900
MIMA 100x100	1000
MIMA 120x120	1200

MIMA RECTANGULAR



	A (mm)	B (mm)
MIMA 100x80	1000	800
MIMA 120x80	1200	800
MIMA 140x80	1400	800
MIMA 160x80	1600	800
MIMA 180x80	1800	800
MIMA 80x90	800	900
MIMA 100x90	1000	900
MIMA 110x90	1100	900
MIMA 120x90	1200	900
MIMA 140x90	1400	900
MIMA 150x90	1500	900
MIMA 160x90	1600	900
MIMA 180x90	1800	900
MIMA 120x100	1200	1000
MIMA 140x100	1400	1000
MIMA 160x100	1600	1000
MIMA 180x100	1800	1000

MIMA SEMI-CIRCULAR

