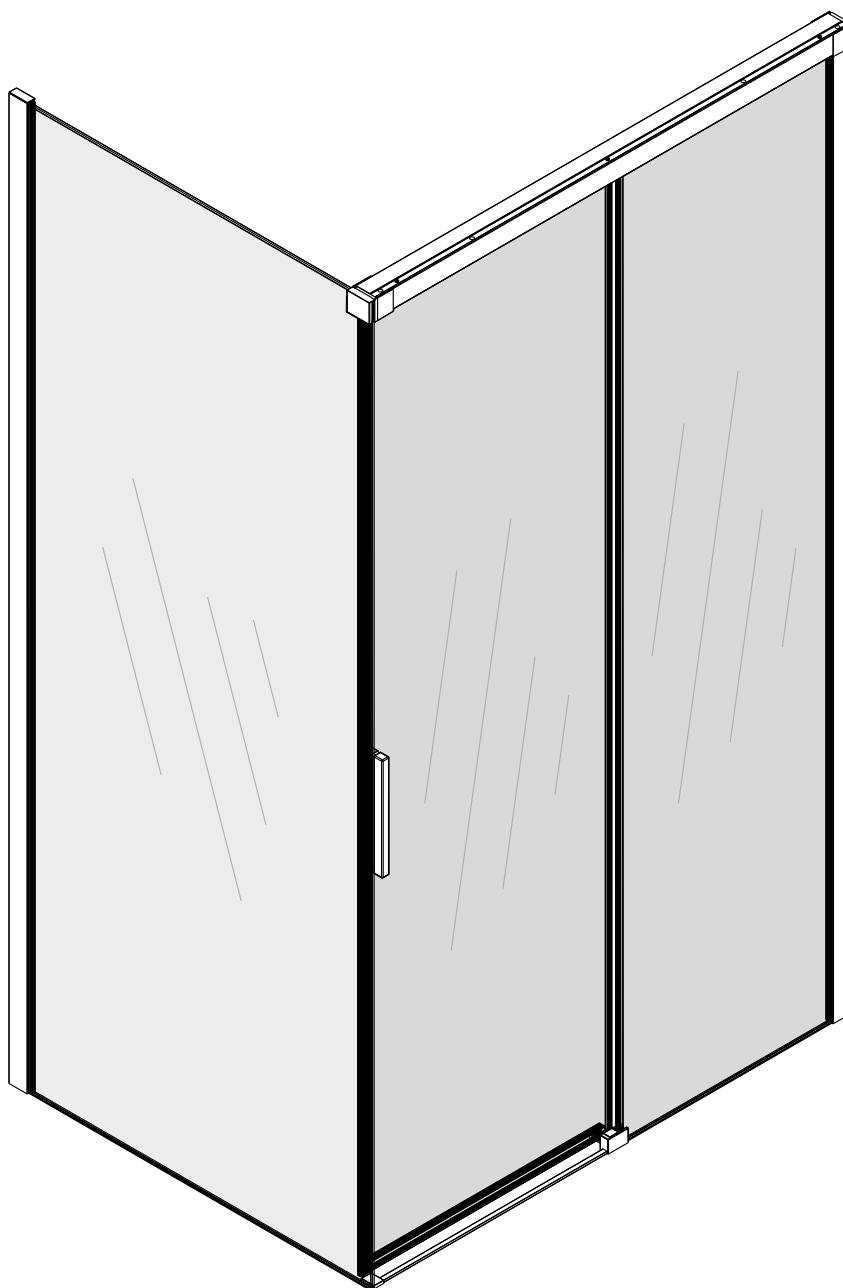
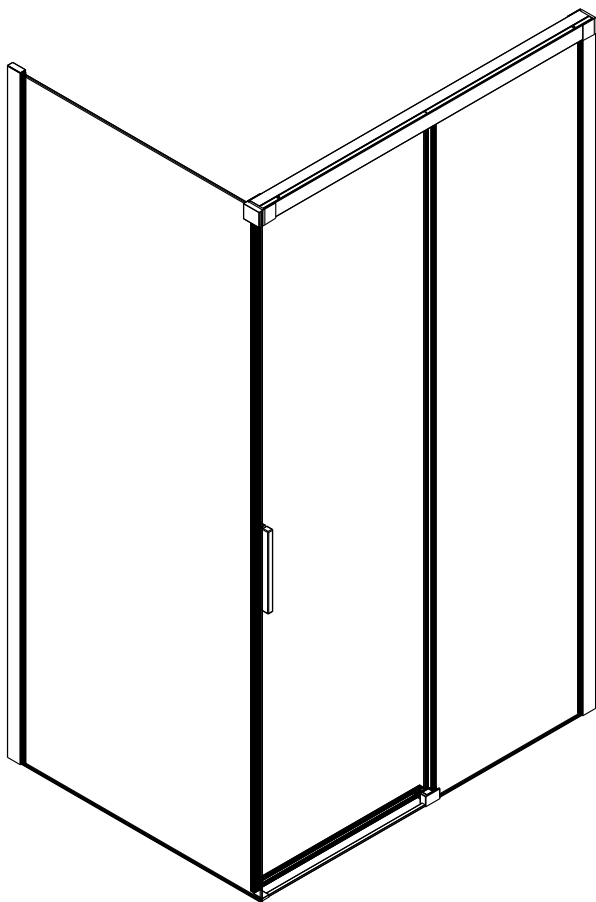


HARMONY D+W

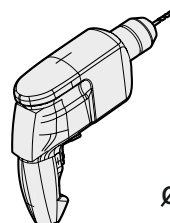
desna



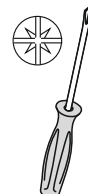


Za montažu je potrebno:
For installation you need:
Za namestittev morate imeti:

Dvije osobe !
Two persons !
Dve osebi !



∅ 6 mm

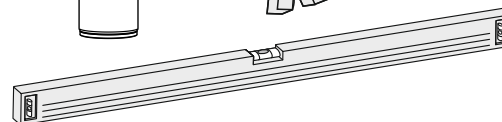


7
10
19



2
2.5
4
5

Uključeno u set
Delivered in a set



Važno!

Iako je materijal koji se koristi u proizvodnji najbolje kvalitete, može se oštetiti uporabom određenih kemikalija, kao što su aceton i razgrađivači općenito. Tijekom ugradnje, preporučuje se zaštititi proizvod (na primjer tuš kadu) kartonom.

Paravan mora ugraditi za to ovlaštena osoba.

Proizvođač ne odgovara za štetu ili ozljede osoba ili stvari nastale nepravilnom ugradnjom.



Important notes!

Although the material used in the construction of our products is of the highest quality, they may be damaged by certain chemical agents such as acetone or solvents in general.

During installation, it is advisable to protect the surfaces of the product (such as the shower tray) using cardboard.

The shower cabins must be installed by qualified personnel.

The manufacturer declines all liability for damage or injury to person or things caused by incorrect installation.

Pomembno!

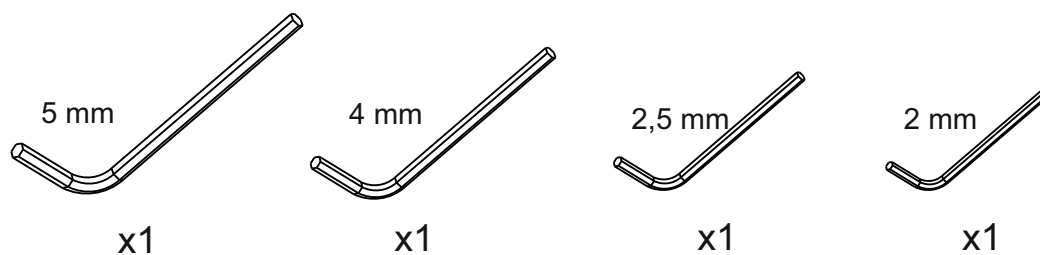
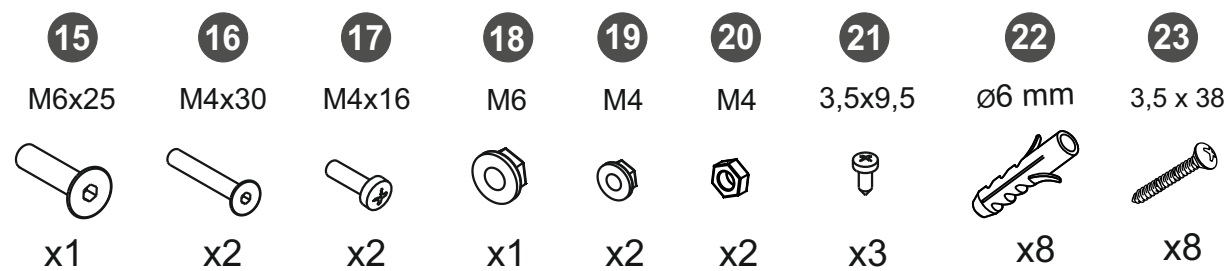
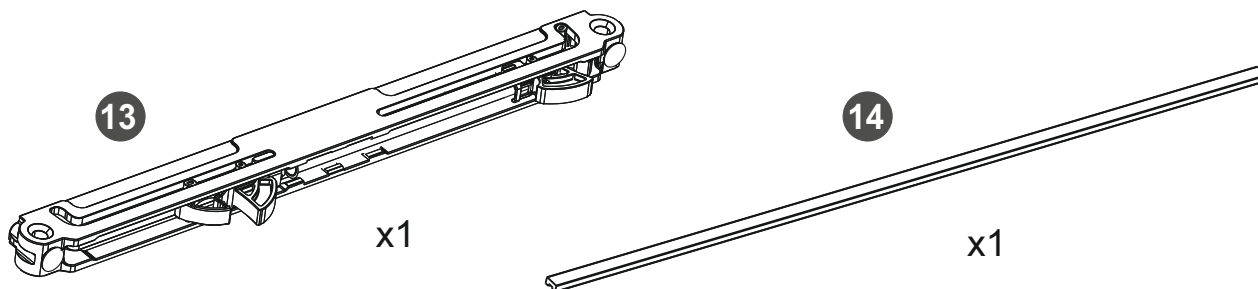
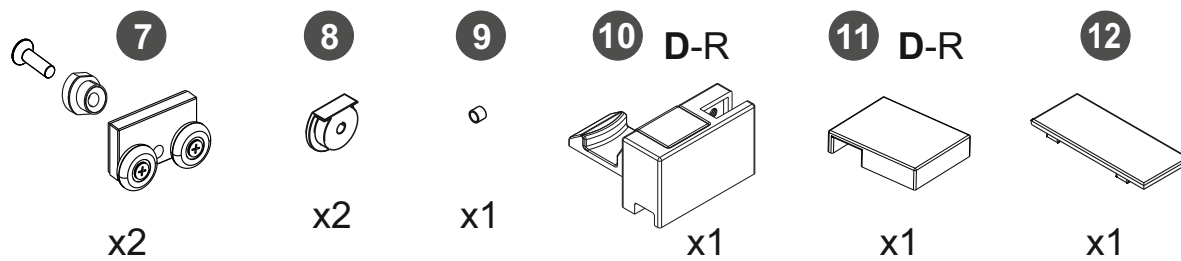
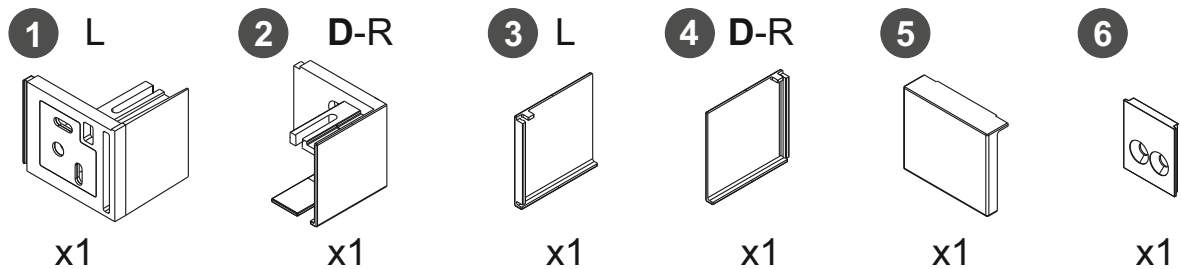
Čeprav je materijal, ki se uporablja pri proizvodnji najboljše kakovosti, se lahko poškoduje z uporabo določenih kemikalij, kot je aceton in raztopila na splošno. Pri vgradnji se priporoča zaščita izdelka (na primer tuš kad) s kartonom. **Zaslon za tuš mora vgraditi pooblaščen oseba.**

Proizvajalec ni odgovoren za škodo ali poškodbe oseb ali stvari, ki so nastale zaradi nepravilne vgradnje.

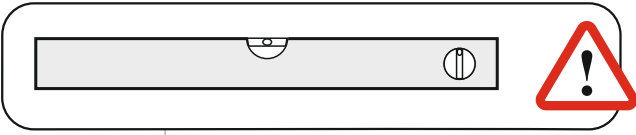
Set s montažnim dijelovima:

Set with mounting parts:

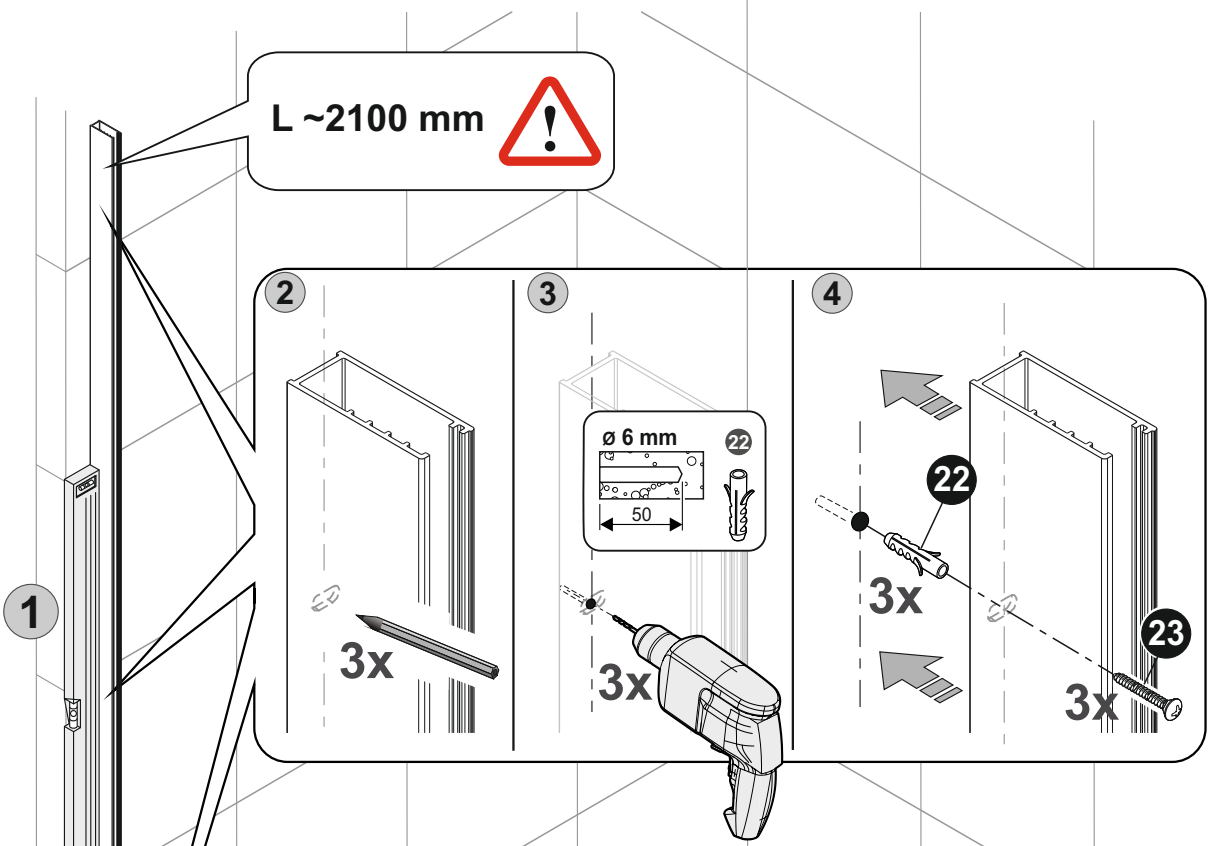
Komplet s montažnim deli:



1



L ~2100 mm

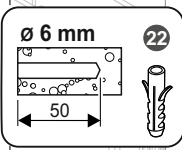


1

2

3

4



3x

3x

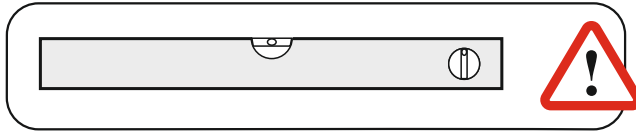
3x

3x

10 mm

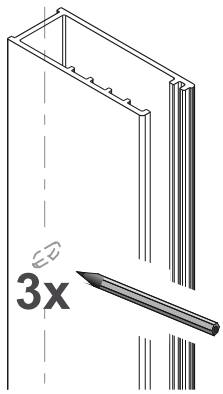
1

2



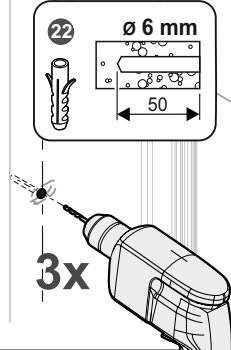
 L ~2050 mm

2



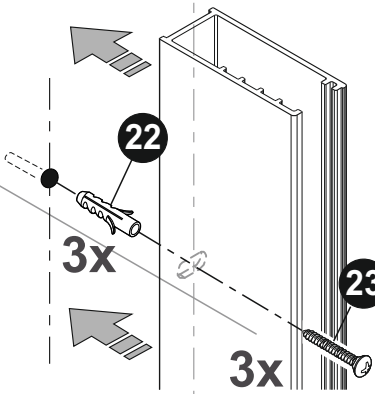
3x

3



3x

4



3x

22

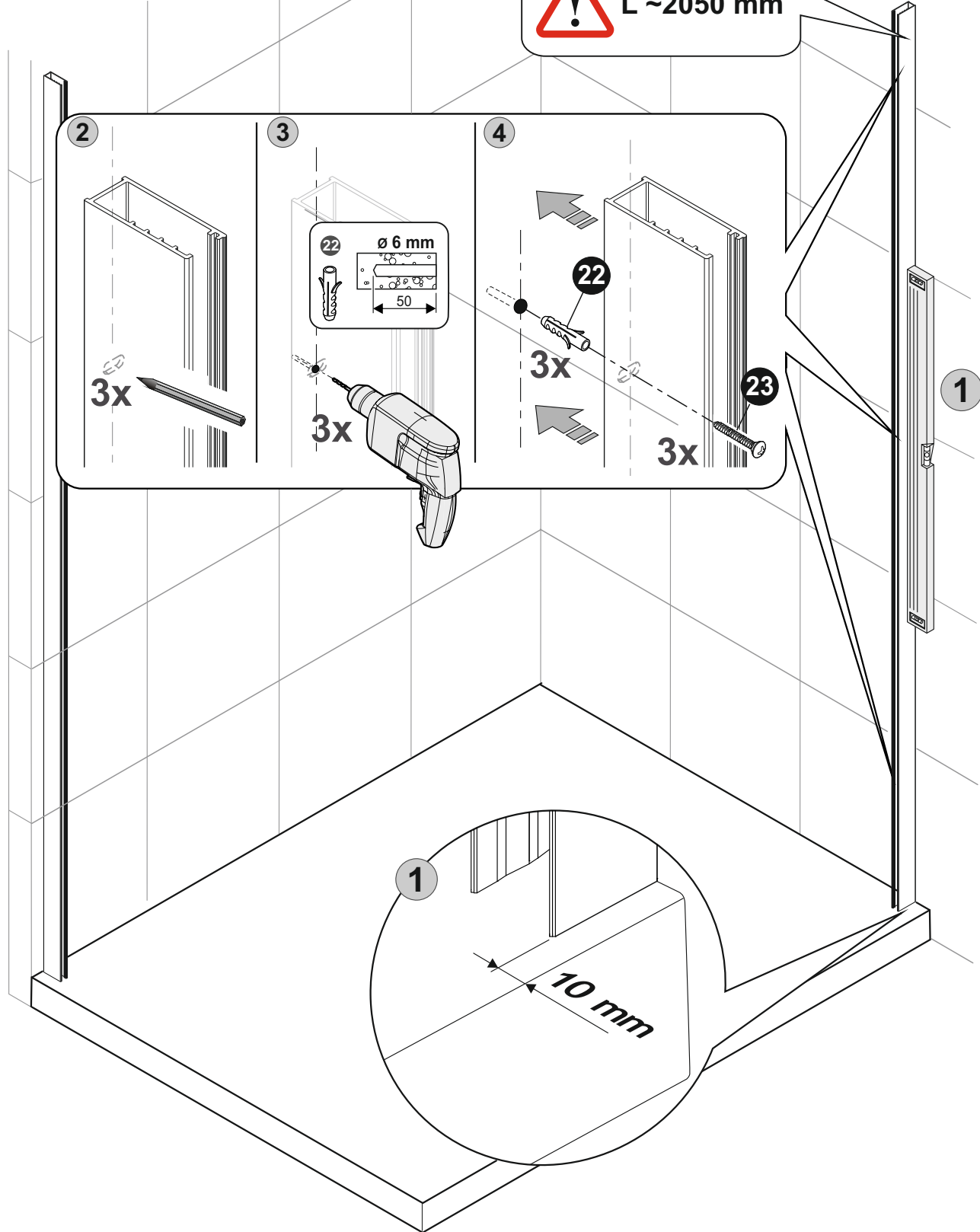
23

3x

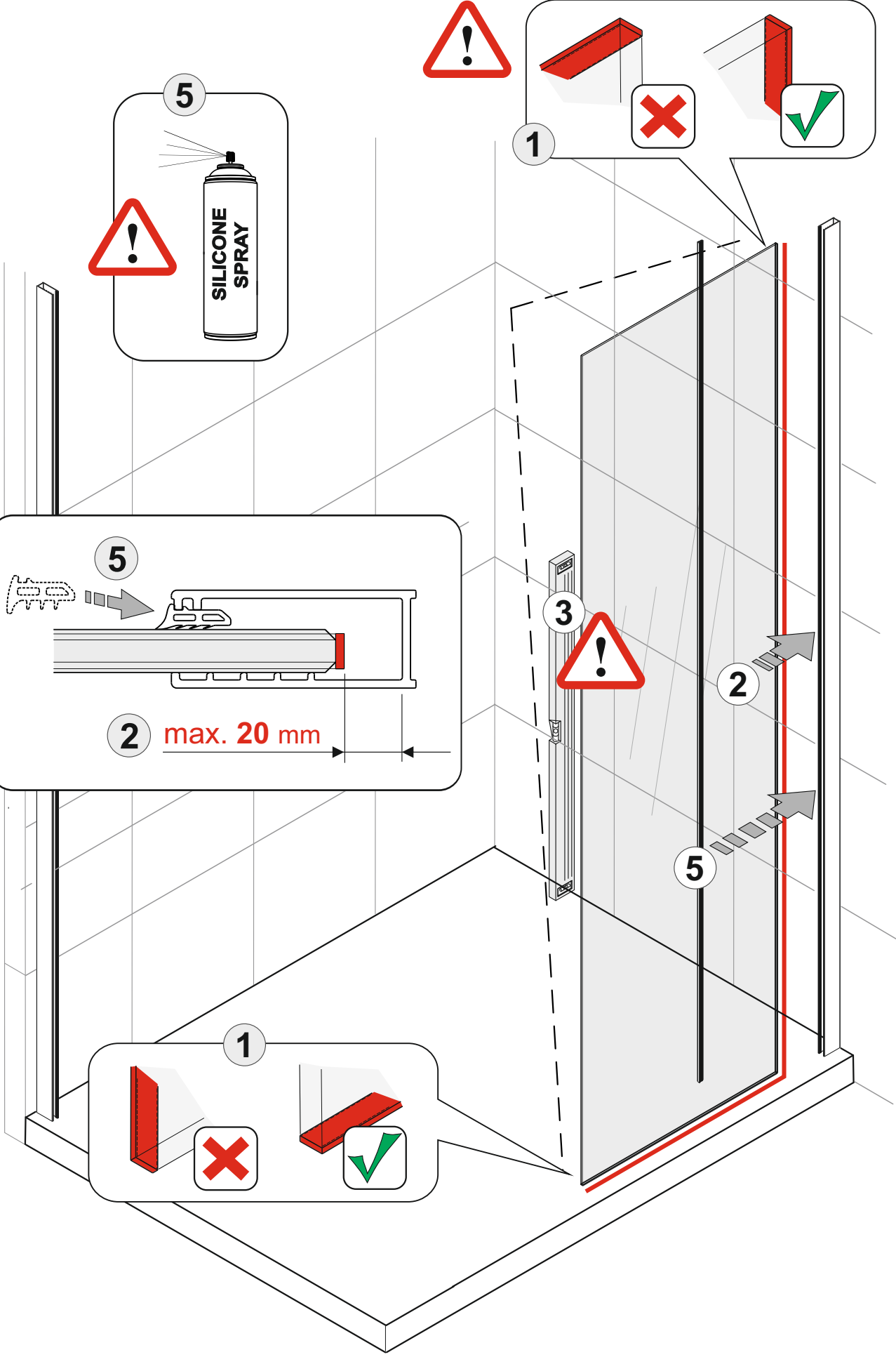
Ø 6 mm

50

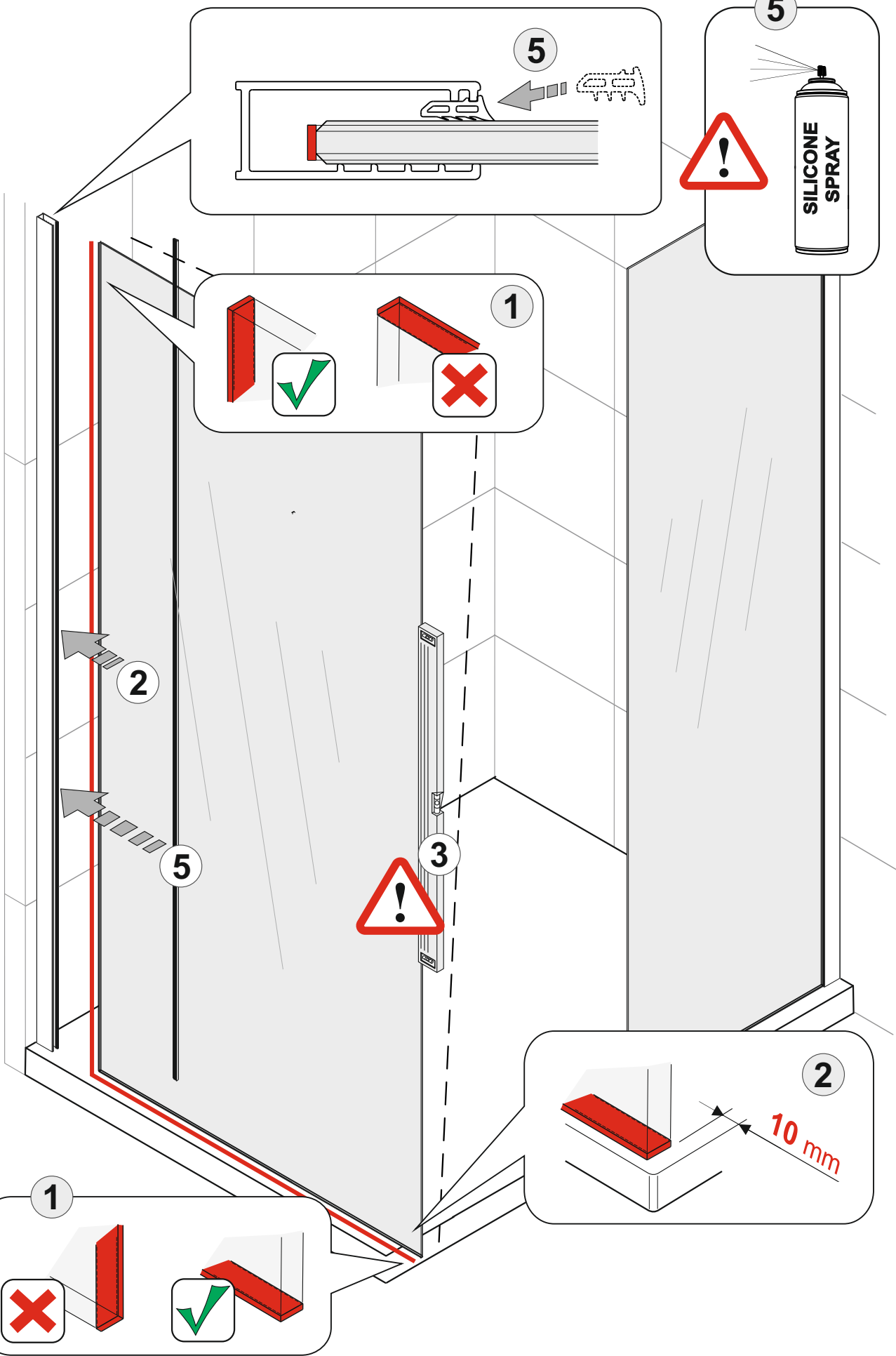
Detailed description: This block contains three numbered steps for wall preparation. Step 2 shows three metal brackets being marked on a wall with a pencil. Step 3 shows a power drill creating three holes in the wall. An inset shows a drill bit with a diameter of 6 mm and a length of 50 mm. Step 4 shows three anchors (22) being inserted into the holes and three screws (23) being tightened into the brackets. Arrows indicate the direction of insertion.



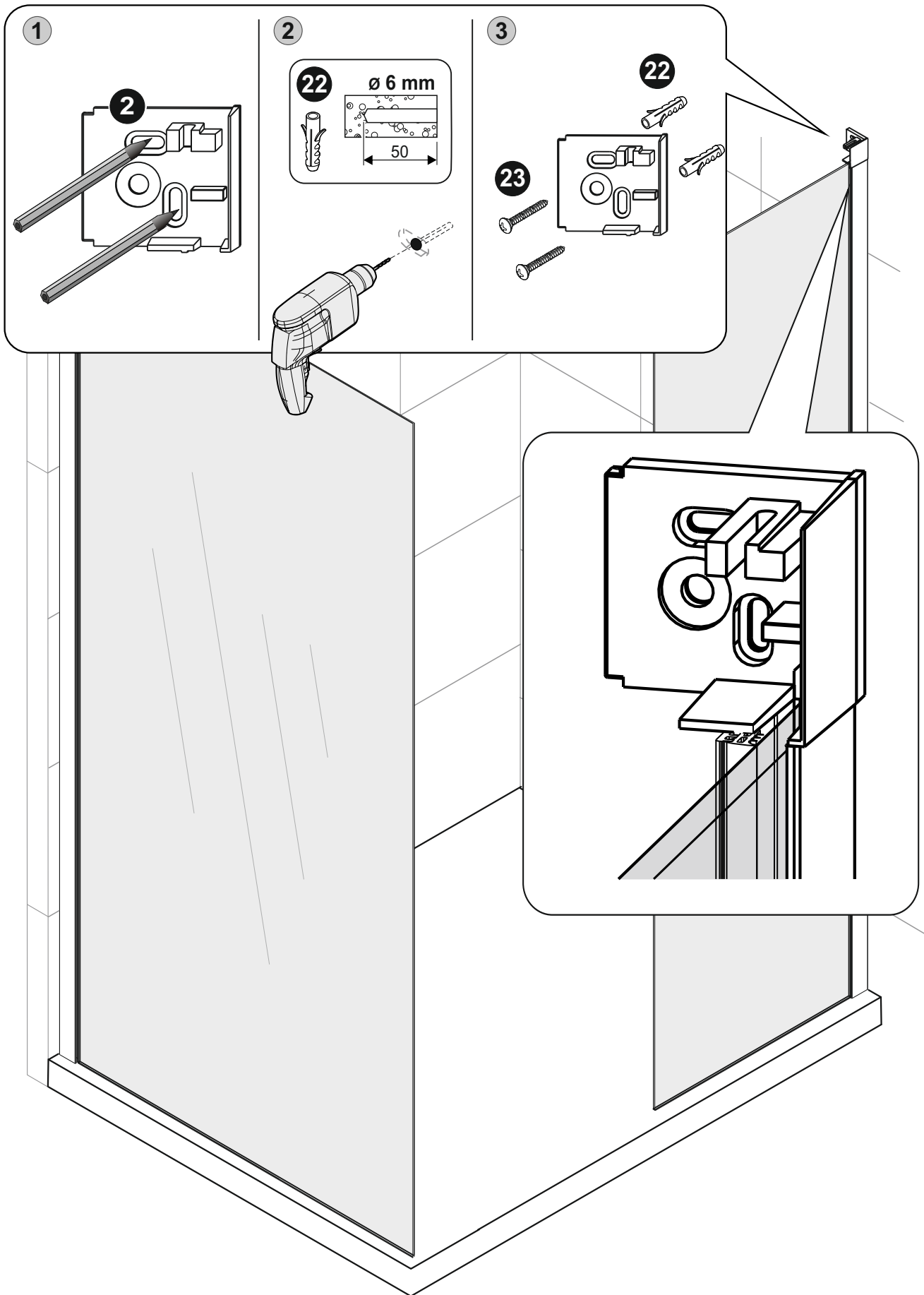
3



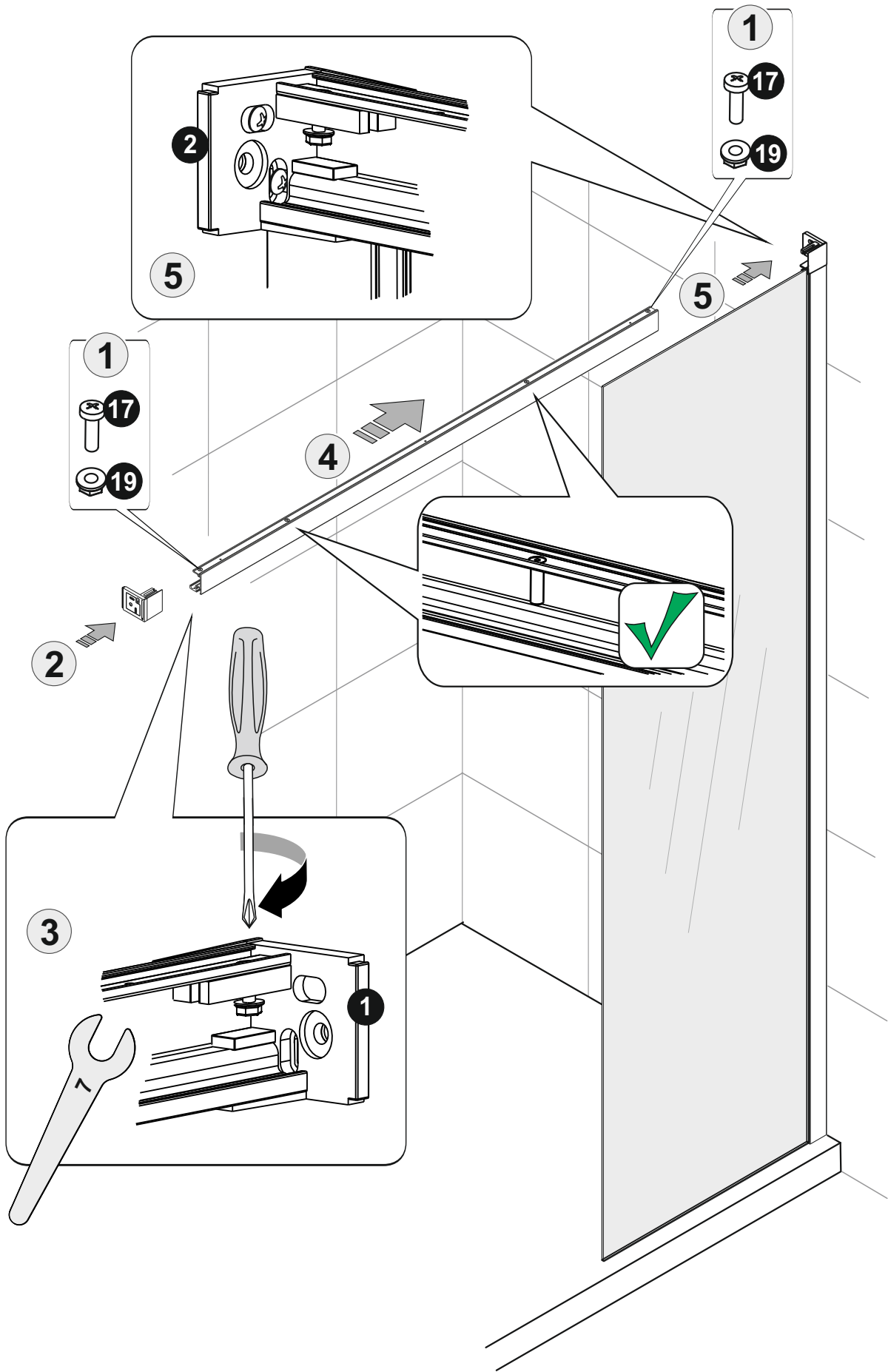
4



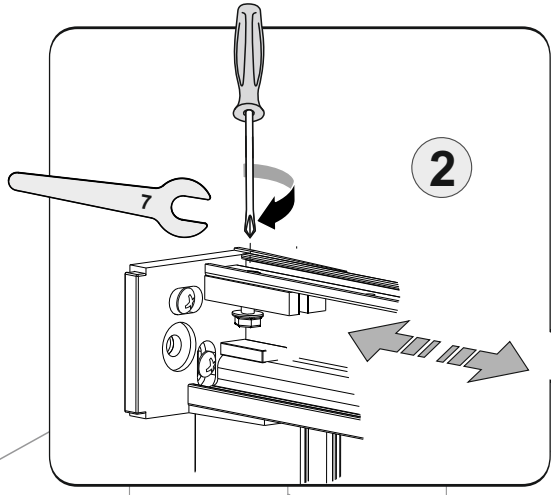
5



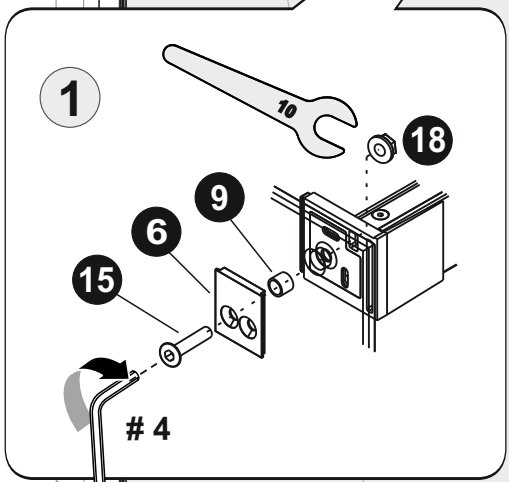
6



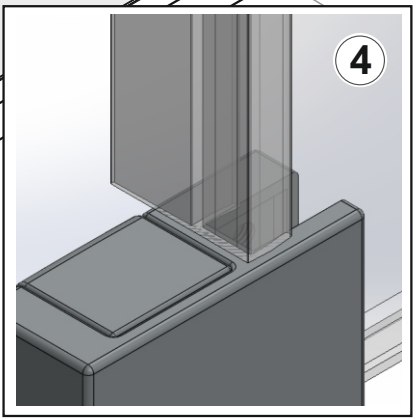
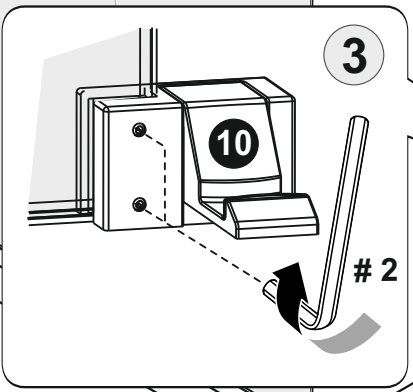
7

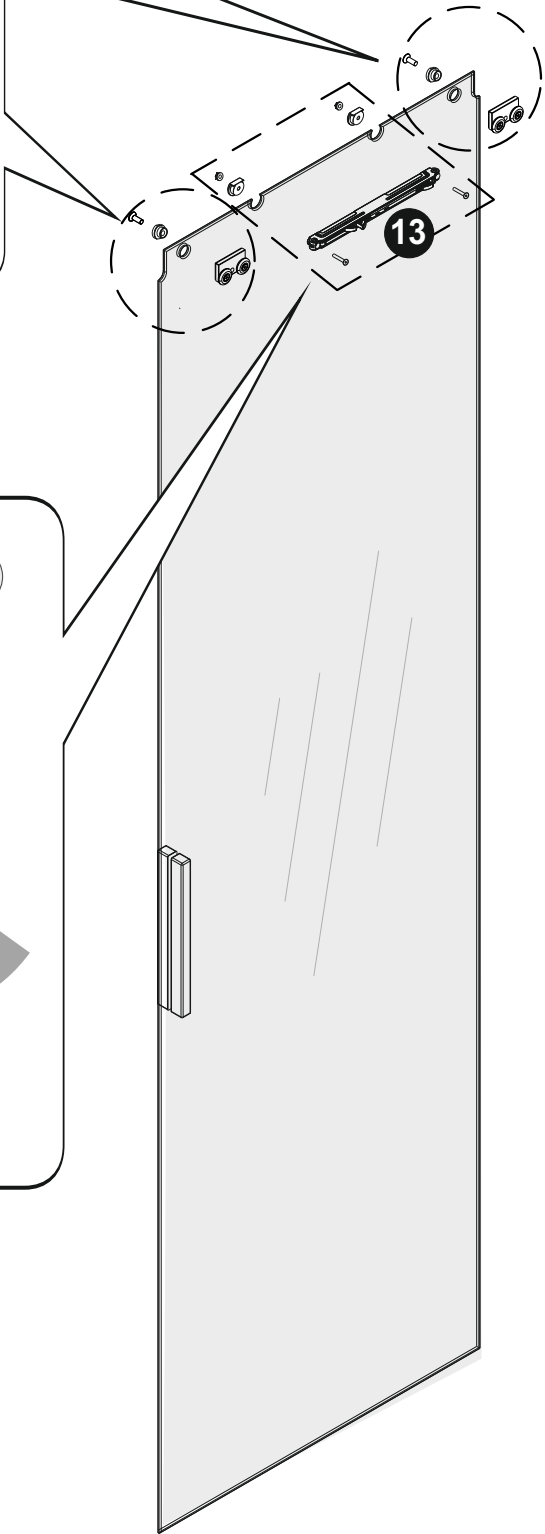
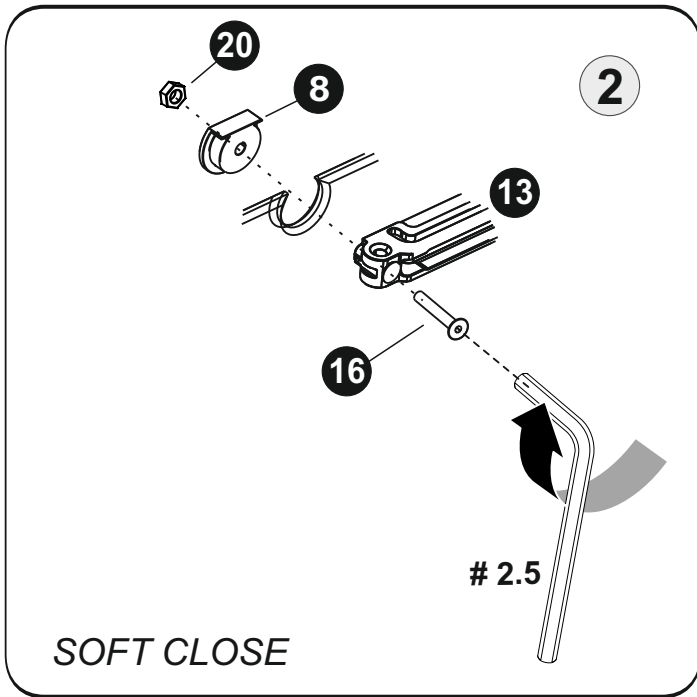
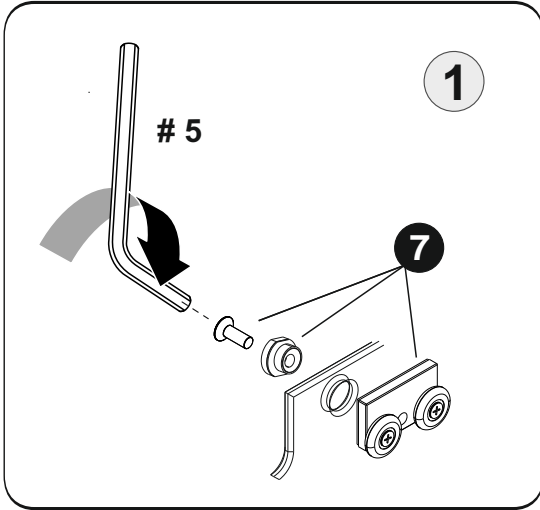


4

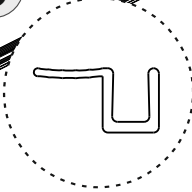
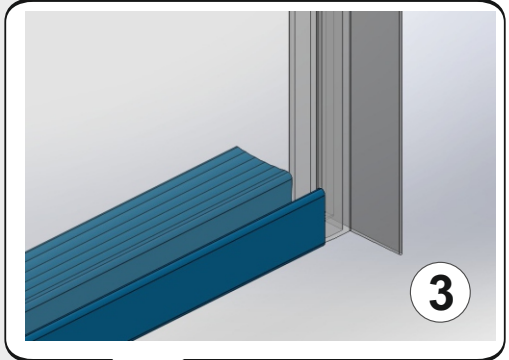
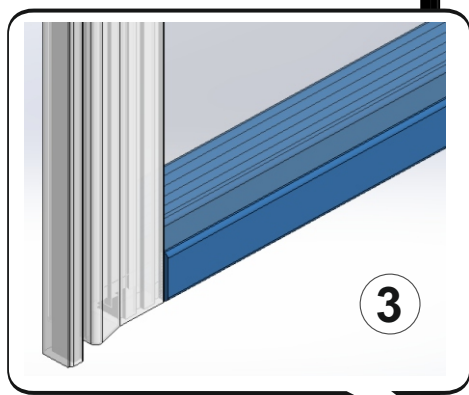
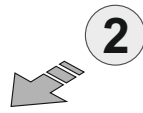
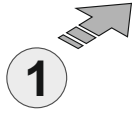
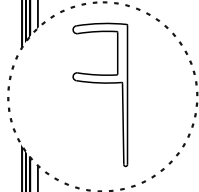
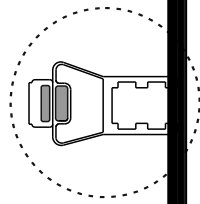
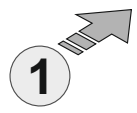
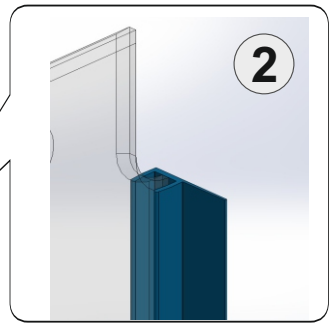
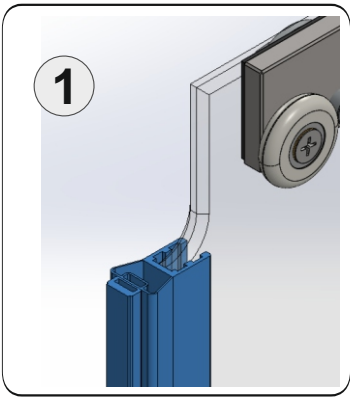


4

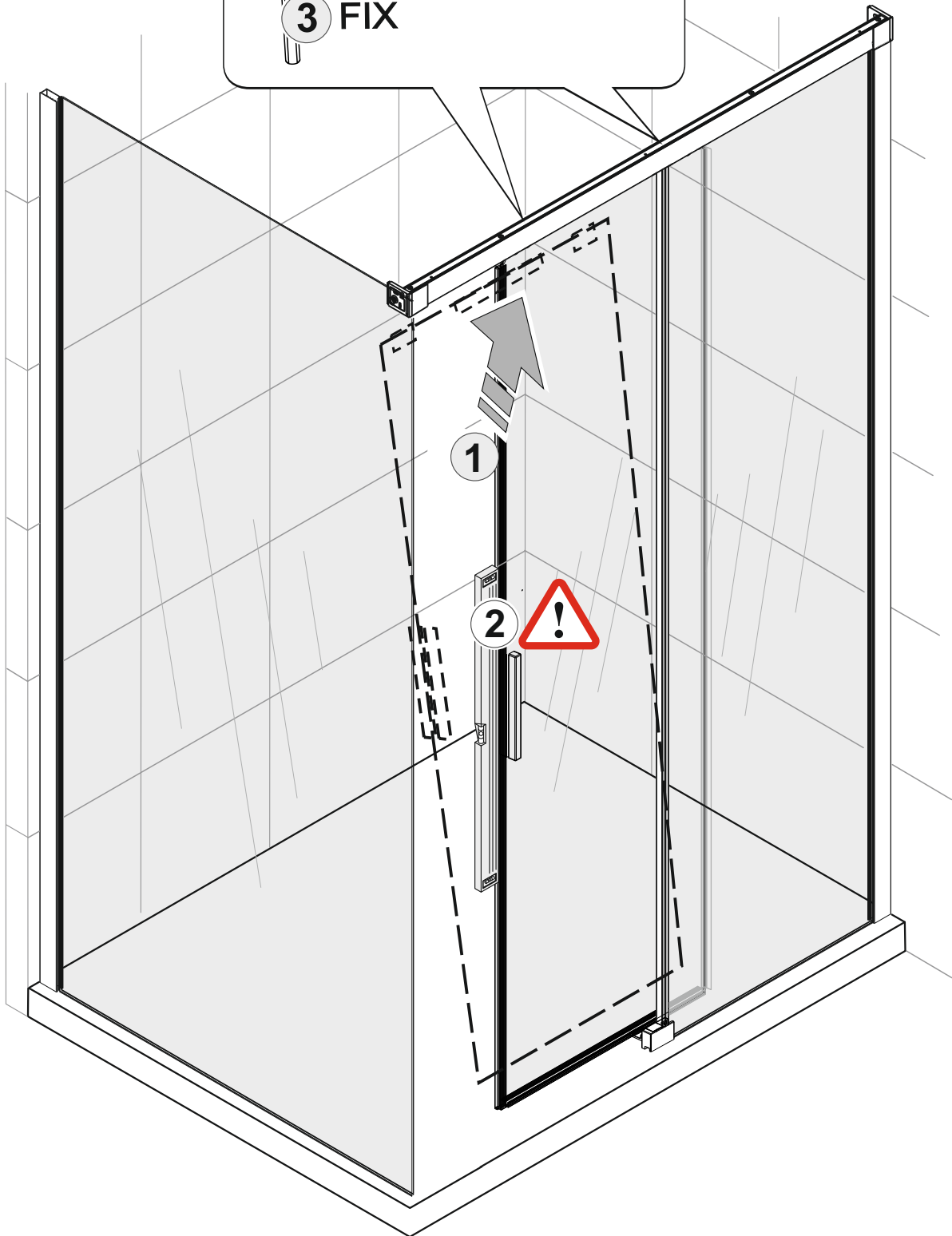
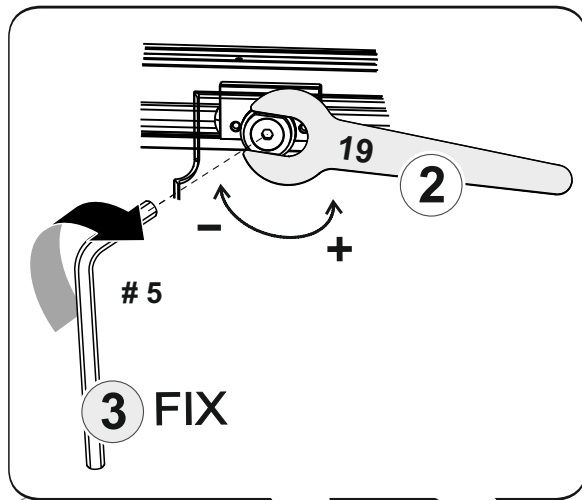




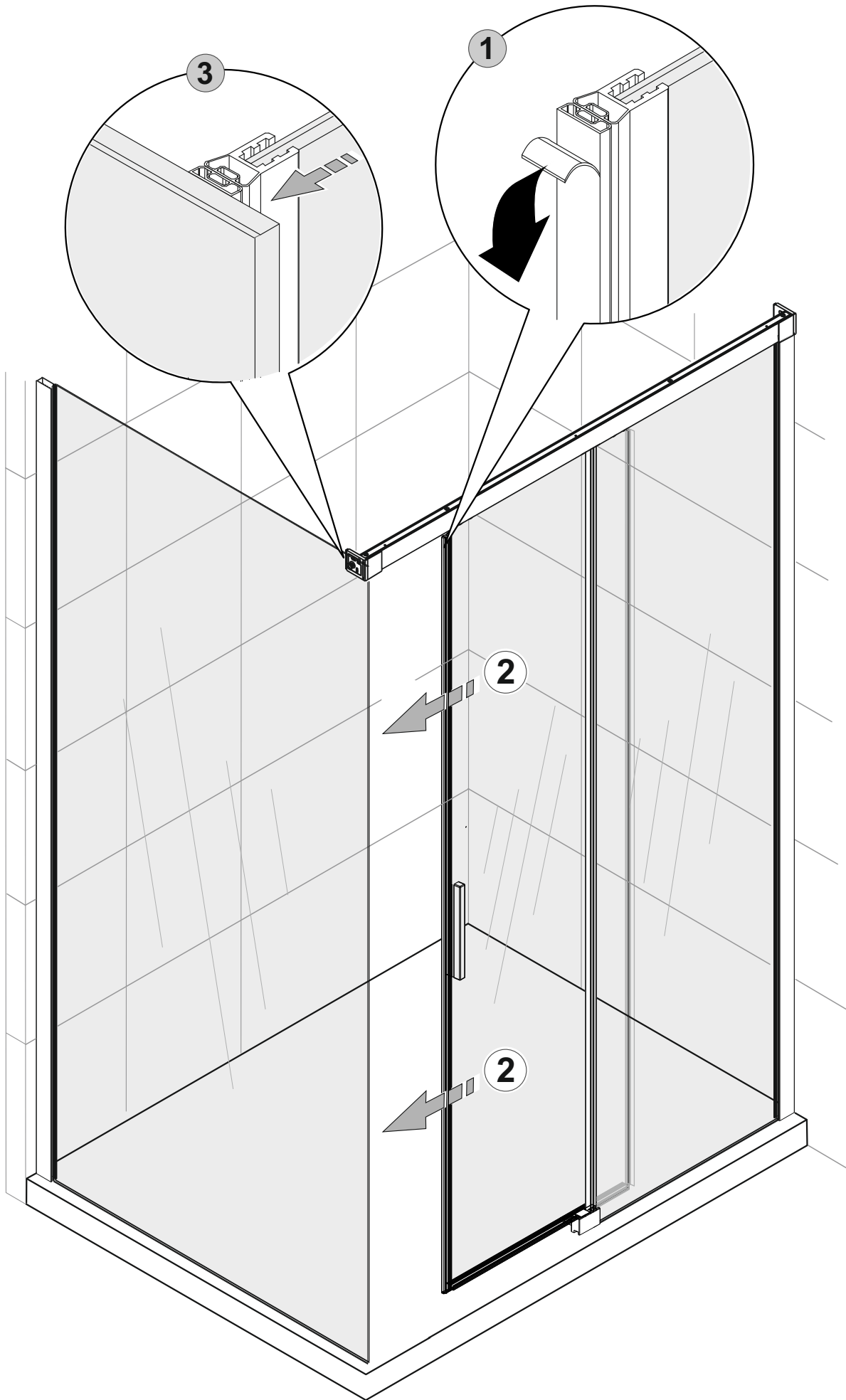
9



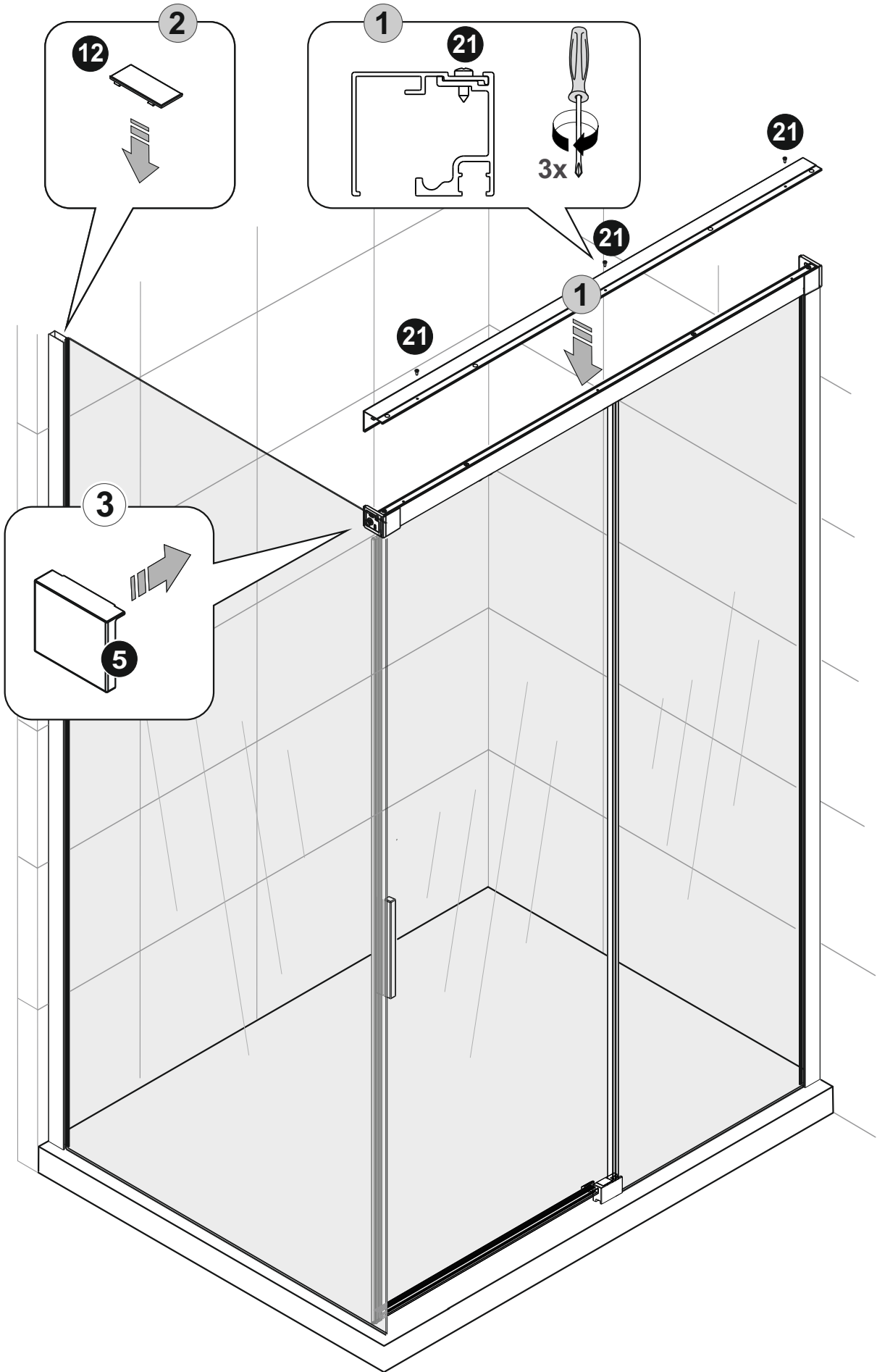
10



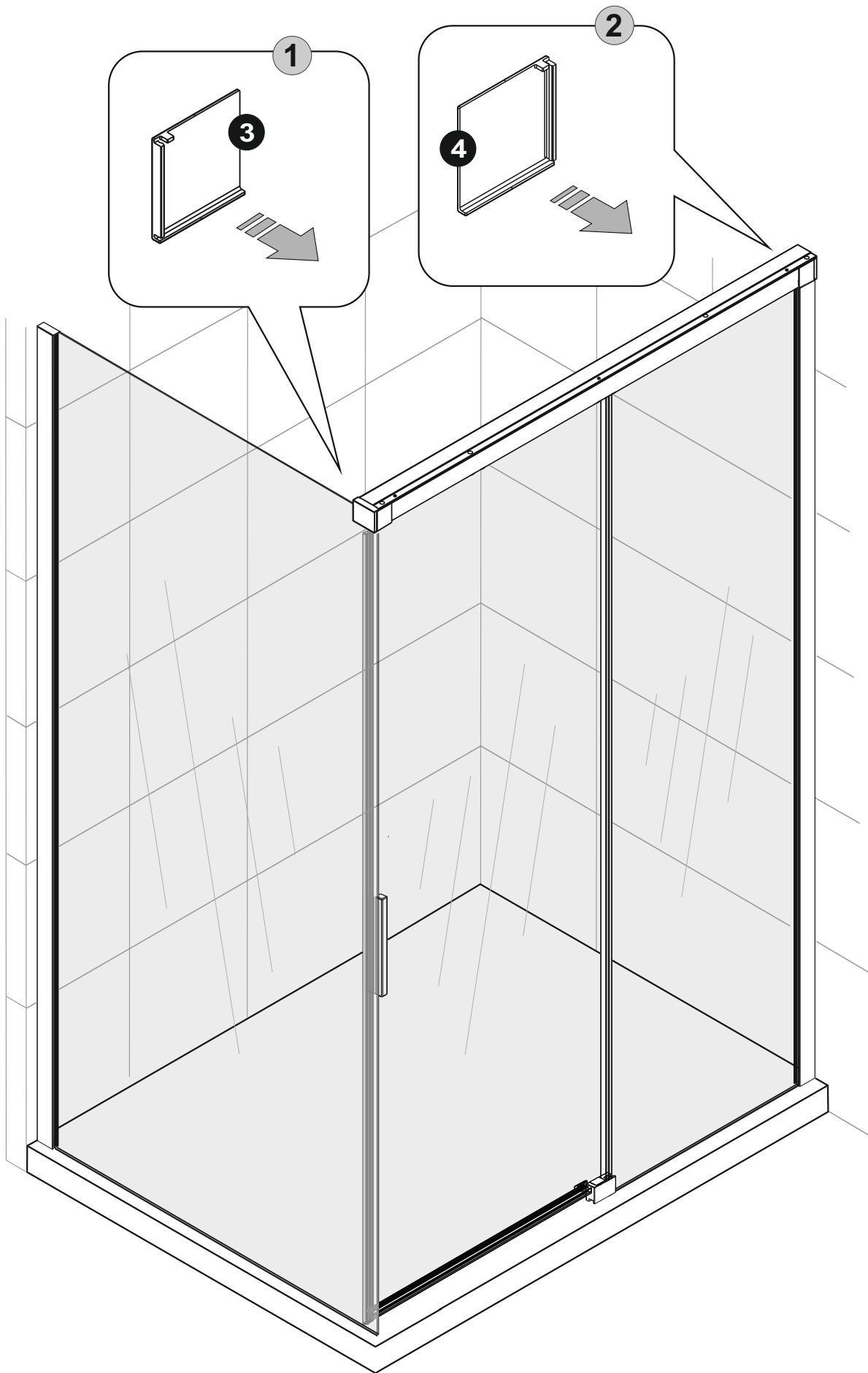
11



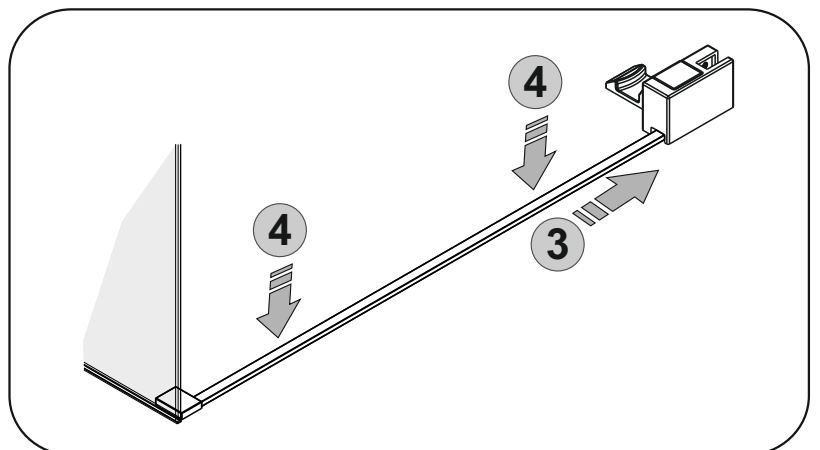
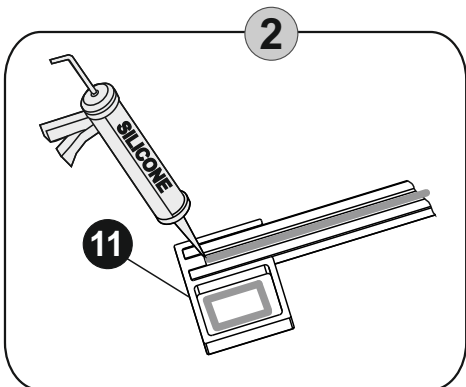
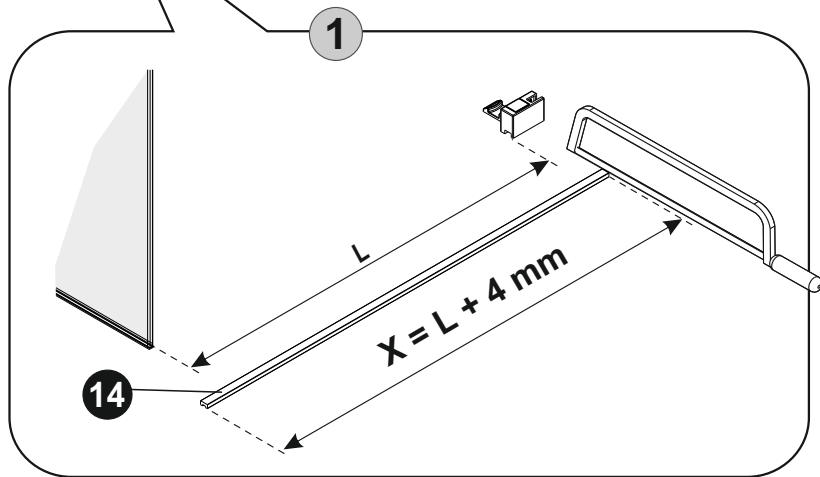
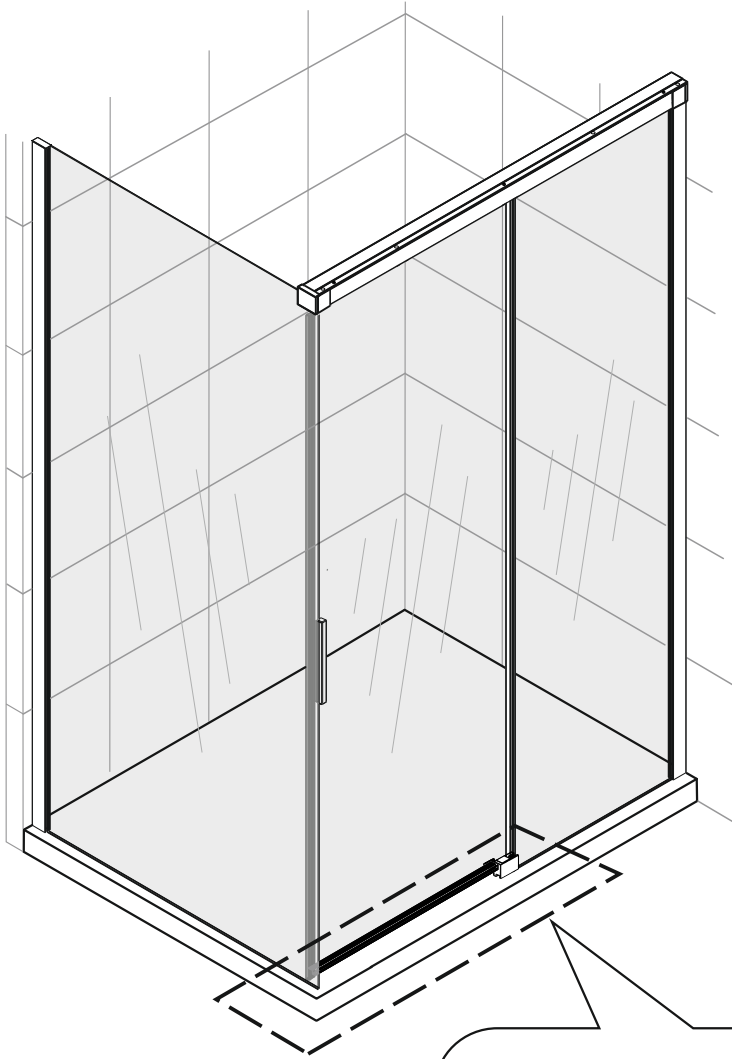
12



13



14



15

